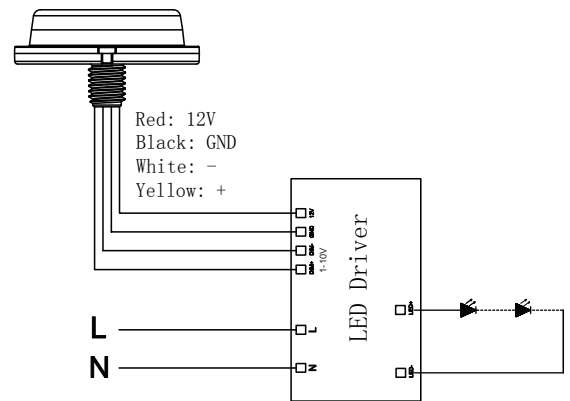


DC12V Highbay installation Sensor Antenna HD06VCRH



On/off control



Stand-by dimming level



Detection area



Remote control setting



Hold-time



10-15M Highbay



Daylight sensor



5 years



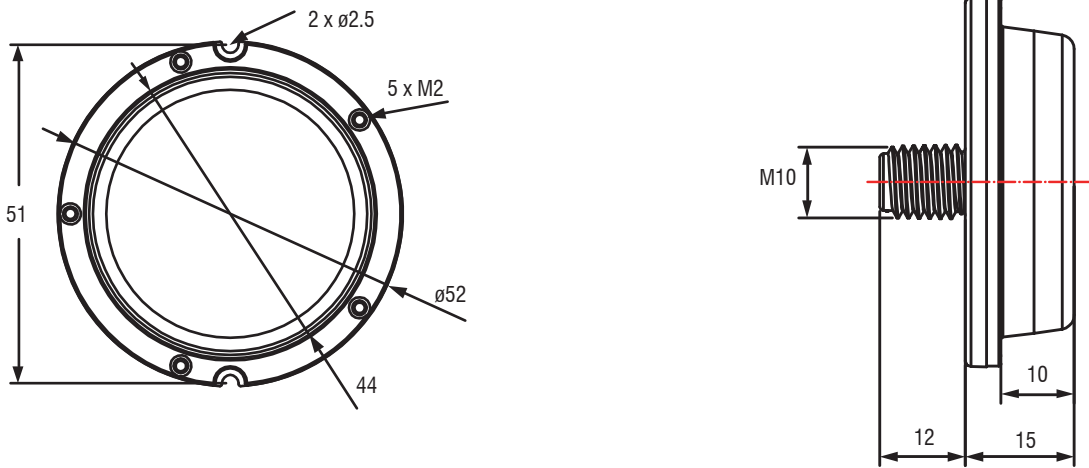
Stand-by period

01 Technical data

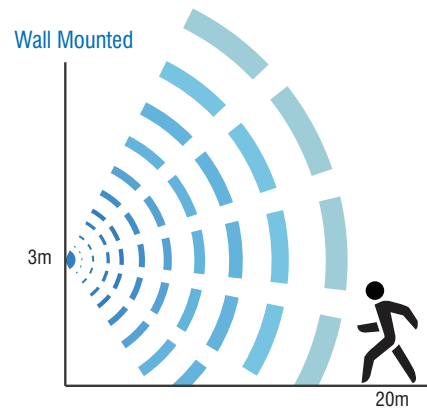
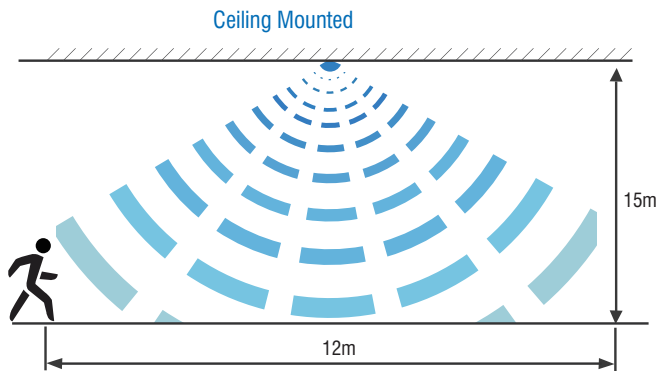
Operating voltage	10-15V DC
Operating current	30mA±5%
Output	DIM 1-10V
Standby power	<0.5W
Detection area	25%/50%/75%/100%
Hold-time	5s/30s/1min/3min/5min/10min/20min/30min
Daylight threshold	2Lux/10Lux/50Lux/Disable
Stand-by period	0s/10s/30s/1min/5min/10min/30min/+∞
Stand-by dimming level	10%/20%/30%/50%
Microwave power	<0.3mW
Microwave frequency	5.8GHz±75MHz
Microwave power	<0.3mW
Detection angle	30-150°
Control line	Ret 12V; Black GND; White -; Yellow +
Mounting height	Max.15m(ceiling mounted)
Detection range	Max.12x15m(ceiling mounted) Max.20m(wall mounted)
Operating temperature	-20°C~+60°C
IP rating	IP65

Note: Motion sensor setting and dimming setting please refer to remote control HD02R.
HD06VCRH Standard Version Cable Length 60mm(Can be customized).

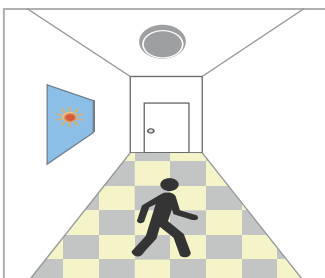
02 Mechanical structure(mm)



03 Detection coverage



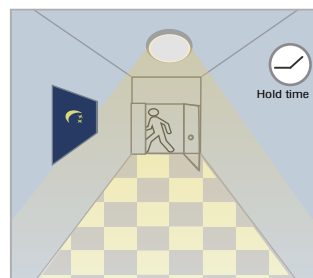
04 Application Function Demo - Dimmable control/Corridor function



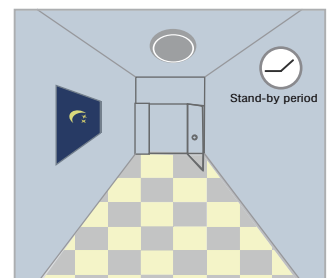
With sufficient daylight, even when motion detected, light remains OFF.



With insufficient daylight, when motion detected, light ON.



After last detection, the light will be dimmed down to the stand-by dimming level(10%,20%,30% or 50%) after holdtime.



After the stand-by period, light OFF.