

SYSTEM  
***SHIFT***



**WOJNAROWSKI**  
LIGHTING DESIGN



**CLASSIC  
ELEGANCE,  
CLASSIC  
COLORS**

SHIFT SYSTEM components are available in two classic color versions: black and white.

**QUALITY  
YOU CAN  
BE SURE OF**


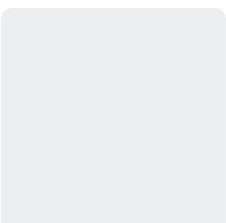
Innovative lighting solution CLICK & SHIFT. A lighting system constructed on a narrow track, powered by a secure 48 V voltage, enabling lamps to be freely positioned along the track. Lamps crafted from high-quality materials and rigorously tested components allow us to provide a 5-year warranty\* for all products within the SYSTEM SHIFT series.



\*A 5-year warranty applies to SYSTEM SHIFT products. SYSTEM SHIFT BASIC products are covered by a 2-year warranty.

# TABLE OF CONTENTS

## SYSTEM **SHIFT** / with 5 year warranty

			
SHIFT <b>GRID</b> _____ <b>06</b>	SHIFT <b>LINE</b> _____ <b>08</b>	SHIFT <b>ADJUSTABLE</b> _____ <b>10</b>	SHIFT <b>ASIMETRIC</b> _____ <b>12</b>
			
SHIFT <b>SPOT</b> _____ <b>14</b>	SHIFT <b>SPOT ZOOM</b> _____ <b>16</b>	SHIFT <b>HANGIT</b> _____ <b>18</b>	SHIFT <b>HANGIT CONE</b> _____ <b>20</b>
			
SHIFT <b>GLOBE</b> _____ <b>22</b>	SHIFT <b>GLOBE P</b> _____ <b>22</b>	SHIFT <b>NEON</b> _____ <b>24</b>	SHIFT <b>BEAM</b> _____ <b>26</b>
			





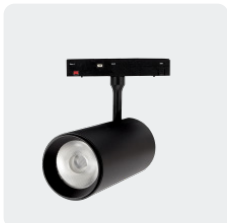



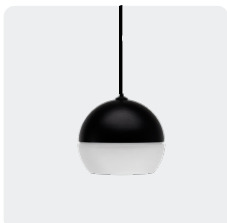


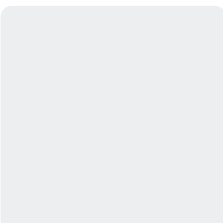
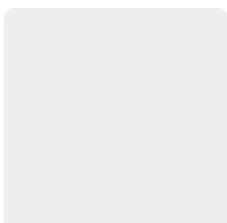


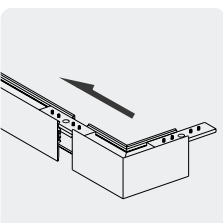


CLICKable menu

BACK to menu button in each right corner of the page.

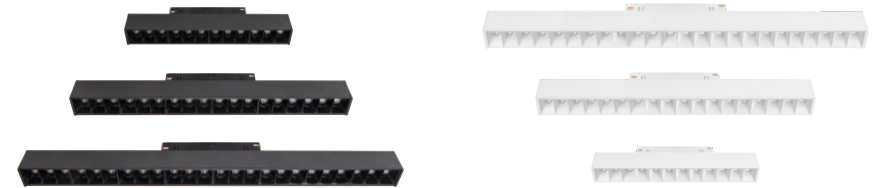


## SYSTEM **SHIFT BASIC** / with 2 year warranty

			
SHIFT <b>BASIC GRID</b> _____ <b>28</b>	SHIFT <b>BASIC LINE</b> _____ <b>29</b>	SHIFT <b>GRID BASIC ADJUSTABLE</b> _____ <b>29</b>	SHIFT <b>BASIC SPOT RING</b> _____ <b>30</b>
			
SHIFT <b>BASIC SPOT</b> _____ <b>30</b>	SHIFT <b>BASIC HANGIT</b> _____ <b>30</b>	SHIFT <b>BASIC HANGIT CRISTAL</b> _____ <b>30</b>	SHIFT <b>BASIC GLOBE RING</b> _____ <b>31</b>
			
SHIFT <b>BASIC GLOBE RING P</b> _____ <b>31</b>	SHIFT <b>BASIC GLOBE</b> _____ <b>31</b>	SHIFT <b>BASIC GLOBE P</b> _____ <b>31</b>	
			
	SHIFT <b>ACCESSORIES</b> _____ <b>32</b>	SHIFT <b>TRACKS</b> _____ <b>33</b>	SHIFT <b>INSTALLATION</b> _____ <b>34</b>



## SYSTEM **SHIFT GRID**



ITEM	COLOUR	POWER	LUMINOUS FLUX	LIGHT COLOUR	BEAM ANGLE	DIMENSIONS	CODE
GRID S	●	12 W	1200 lm	3000 K	35°	204 × 23 × 42 mm	WLD+40011
GRID M	●	17 W	1700 lm	3000 K	35°	303 × 23 × 42 mm	WLD+40012
GRID L	●	22 W	2250 lm	3000 K	35°	404 × 23 × 42 mm	WLD+40013
GRID S	○	12 W	1200 lm	3000 K	35°	204 × 23 × 42 mm	WLD+40040
GRID M	○	17 W	1700 lm	3000 K	35°	303 × 23 × 42 mm	WLD+40041
GRID L	○	22 W	2250 lm	3000 K	35°	404 × 23 × 42 mm	WLD+40042
SMART GRID S	●	12 W	1200 lm	CCT	40°	220 × 23 × 42 mm	WLD+40011_SMART
SMART GRID M	●	17 W	1700 lm	CCT	40°	330 × 23 × 42 mm	WLD+40012_SMART
SMART GRID L	●	22 W	2250 lm	CCT	40°	440 × 23 × 42 mm	WLD+40013_SMART
SMART GRID S	○	12 W	1200 lm	CCT	40°	220 × 23 × 42 mm	WLD+40040_SMART
SMART GRID M	○	17 W	1700 lm	CCT	40°	330 × 23 × 42 mm	WLD+40041_SMART
SMART GRID L	○	22 W	2250 lm	CCT	40°	440 × 23 × 42 mm	WLD+40042_SMART

Available with: Casambi / Spectrum SMART / Dali / 2 phase



## SYSTEM **SHIFT LINE**



ITEM	COLOUR	POWER	LUMINOUS FLUX	LIGHT COLOUR	BEAM ANGLE	DIMENSIONS	CODE
LINE S	●	8 W	980 lm	3000 K	100°	304 × 23 × 42 mm	WLD+40008
LINE M	●	17 W	1800 lm	3000 K	100°	602 × 23 × 42 mm	WLD+40009
LINE L	●	22 W	2300 lm	3000 K	100°	902 × 23 × 42 mm	WLD+40010
LINE S	○	8 W	980 lm	3000 K	100°	304 × 23 × 42 mm	WLD+40037
LINE M	○	17 W	1800 lm	3000 K	100°	602 × 23 × 42 mm	WLD+40038
LINE L	○	22 W	2300 lm	3000 K	100°	902 × 23 × 42 mm	WLD+40039
SMART LINE S	●	10 W	940 lm	CCT	100°	304 × 23 × 42 mm	WLD+40008_SMART
SMART LINE M	●	15 W	1500 lm	CCT	100°	602 × 23 × 42 mm	WLD+40009_SMART
SMART LINE L	●	22 W	2300 lm	CCT	100°	902 × 23 × 42 mm	WLD+40010_SMART
SMART LINE S	○	10 W	940 lm	CCT	100°	304 × 23 × 42 mm	WLD+40037_SMART
SMART LINE M	○	15 W	1500 lm	CCT	100°	602 × 23 × 42 mm	WLD+40038_SMART
SMART LINE L	○	22 W	2300 lm	CCT	100°	902 × 23 × 42 mm	WLD+40039_SMART

Available with: Casambi / Spectrum SMART / Dali / 2 phase



## SYSTEM **SHIFT ADJUSTABLE**



**5 year  
warranty**

**Ra>90**



ITEM	COLOUR	POWER	LUMINOUS FLUX	LIGHT COLOUR	BEAM ANGLE	DIMENSIONS	CODE
ADJUSTABLE	●	7 W	615 lm	3000 K	35°	243 × 23 × 57 mm	WLD+40061

Available with: Casambi / Spectrum SMART / Dali / 2 phase



## SYSTEM **SHIFT ASIMETRIC**



**5 year  
warranty**

**Ra>90**



ITEM	COLOUR	POWER	LUMINOUS FLUX	LIGHT COLOUR	BEAM ANGLE	DIMENSIONS	CODE
ASIMETRIC	●	6 W	600 lm	3000 K	70°	110 × 23 × 42 mm	WLD+40052

Available with: Casambi / Spectrum SMART / Dali / 2 phase



## SYSTEM **SHIFT SPOT**



ITEM	COLOUR	POWER	LUMINOUS FLUX	LIGHT COLOUR	BEAM ANGLE	DIMENSIONS	CODE
SPOT S	○	6 W	555 lm	3000 K	24°	ø35 × 140 × 178 mm	WLD+40002
SPOT M	○	10 W	950 lm	3000 K	24°	ø44 × 157 × 178 mm	WLD+40003
SPOT S	●	6 W	555 lm	3000 K	24°	ø35 × 140 × 178 mm	WLD+40004
SPOT M	●	10 W	950 lm	3000 K	24°	ø44 × 157 × 178 mm	WLD+40005
SMART SPOT S	○	6 W	500 lm	CCT	24°	ø35 × 140 × 178 mm	WLD+40002_SMART
SMART SPOT M	○	10 W	950 lm	CCT	24°	ø44 × 157 × 178 mm	WLD+40003_SMART
SMART SPOT S	●	6 W	505 lm	CCT	24°	ø35 × 140 × 178 mm	WLD+40004_SMART
SMART SPOT M	●	10 W	950 lm	CCT	24°	ø44 × 157 × 178 mm	WLD+40005_SMART

Available with: Casambi / Spectrum SMART / Dali / 2 phase





## SYSTEM **SHIFT SPOT ZOOM**



**5 year  
warranty**

**Ra>90**



ITEM	COLOUR	POWER	LUMINOUS FLUX	LIGHT COLOUR	BEAM ANGLE	DIMENSIONS	CODE
SPOT ZOOM S	●	5 W	500 lm	3000 K	20-60°	ø35 × 80 mm	WLD+40049
SPOT ZOOM M	●	12 W	1200 lm	3000 K	15-40°	ø55 × 80 mm	WLD+40051

Available with: Casambi / Spectrum SMART / Dali / 2 phase



## SYSTEM **SHIFT HANGIT**



**5 year  
warranty**

**Ra>90**



ITEM	COLOUR	POWER	LUMINOUS FLUX	LIGHT COLOUR	BEAM ANGLE	DIMENSIONS	CODE
HANGIT	●	12W	1130 lm	3000 K	25°	40 × 297 mm + 935 mm wire	WLD+40006
HANGIT	○	12W	1130 lm	3000 K	25°	40 × 297 mm + 900 mm wire	WLD+40035
SMART HANGIT	●	12W	1150 lm	CCT	25°	40 × 297 mm + 935 mm wire	WLD+40006_ SMART
SMART HANGIT	○	12W	1150 lm	CCT	25°	40 × 297 mm + 900 mm wire	WLD+40035_ SMART

Available with: Casambi / Spectrum SMART / Dali / 2 phase



# SYSTEM **SHIFT HANGIT CONE**



ITEM	COLOUR	POWER	LUMINOUS FLUX	LIGHT COLOUR	BEAM ANGLE	DIMENSIONS	CODE
HANGIT CONE	●	6W	500 lm	3000 K	20°	245 x 185 mm + 1350 mm wire	WLD+40060

Available with: Casambi / Spectrum SMART / Dali / 2 phase



# SYSTEM **SHIFT GLOBE / PENDANT**

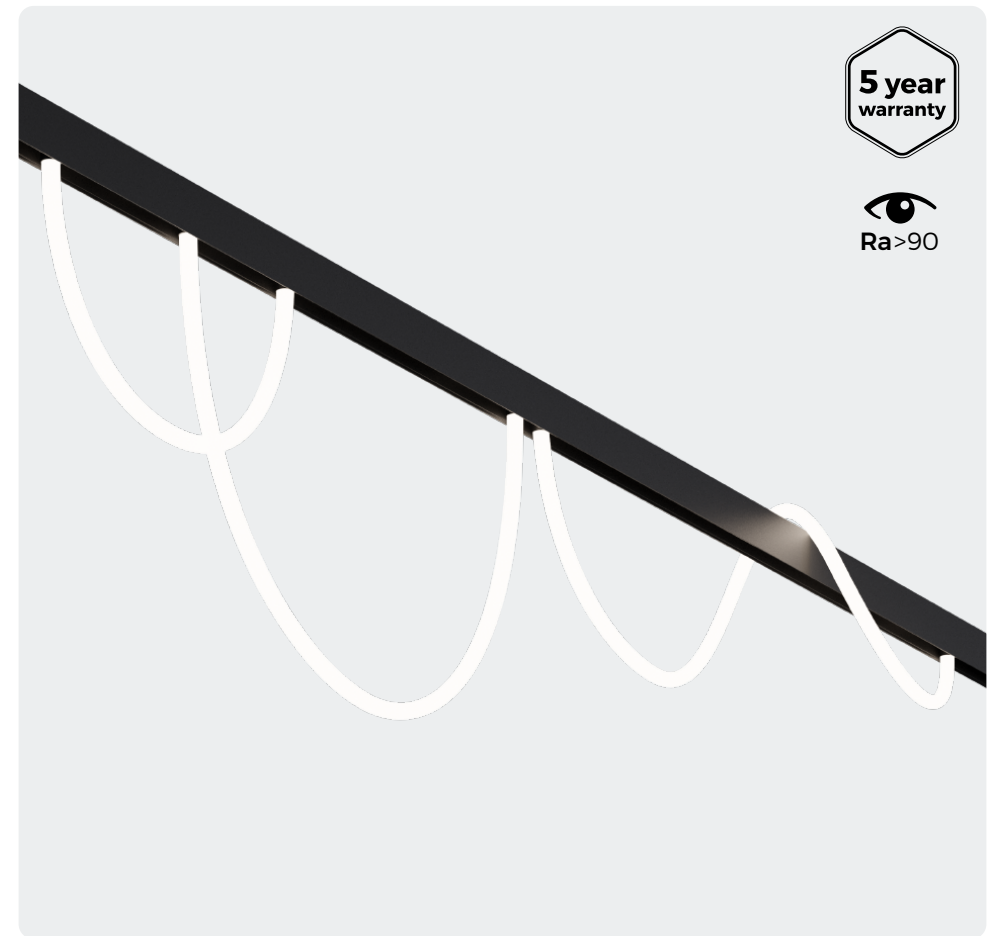


ITEM	COLOUR	POWER	LUMINOUS FLUX	LIGHT COLOUR	BEAM ANGLE	DIMENSIONS	CODE
GLOBE	●	5W	550 lm	3000 K	165°	ø100 × 148 mm	WLD+40000
GLOBE P	●	5W	550 lm	3000 K	165°	ø100 + 850 mm wire	WLD+40001
GLOBE	○	5W	550 lm	3000 K	165°	ø100 × 148 mm	WLD+40033
GLOBE P	○	5W	550 lm	3000 K	165°	ø100 + 850 mm wire	WLD+40034
SMART GLOBE	●	5W	400 lm	CCT	165°	ø100 × 148 mm	WLD+40000_SMART
SMART GLOBE P	●	5W	400 lm	CCT	165°	ø100 + 850 mm wire	WLD+40001_SMART
SMART GLOBE	○	5W	400 lm	CCT	165°	ø100 × 148 mm	WLD+40033_SMART
SMART GLOBE P	○	5W	400 lm	CCT	165°	ø100 + 850 mm wire	WLD+40034_SMART

Available with: Casambi / Spectrum SMART / Dali / 2 phase



## SYSTEM **SHIFT NEON FLEX TUBE**



**5 year  
warranty**

**Ra>90**

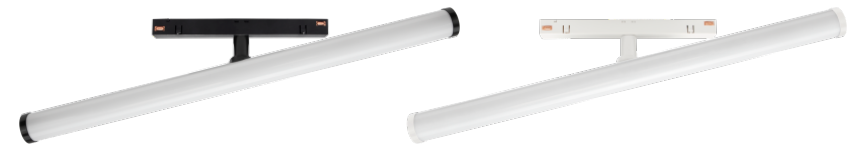
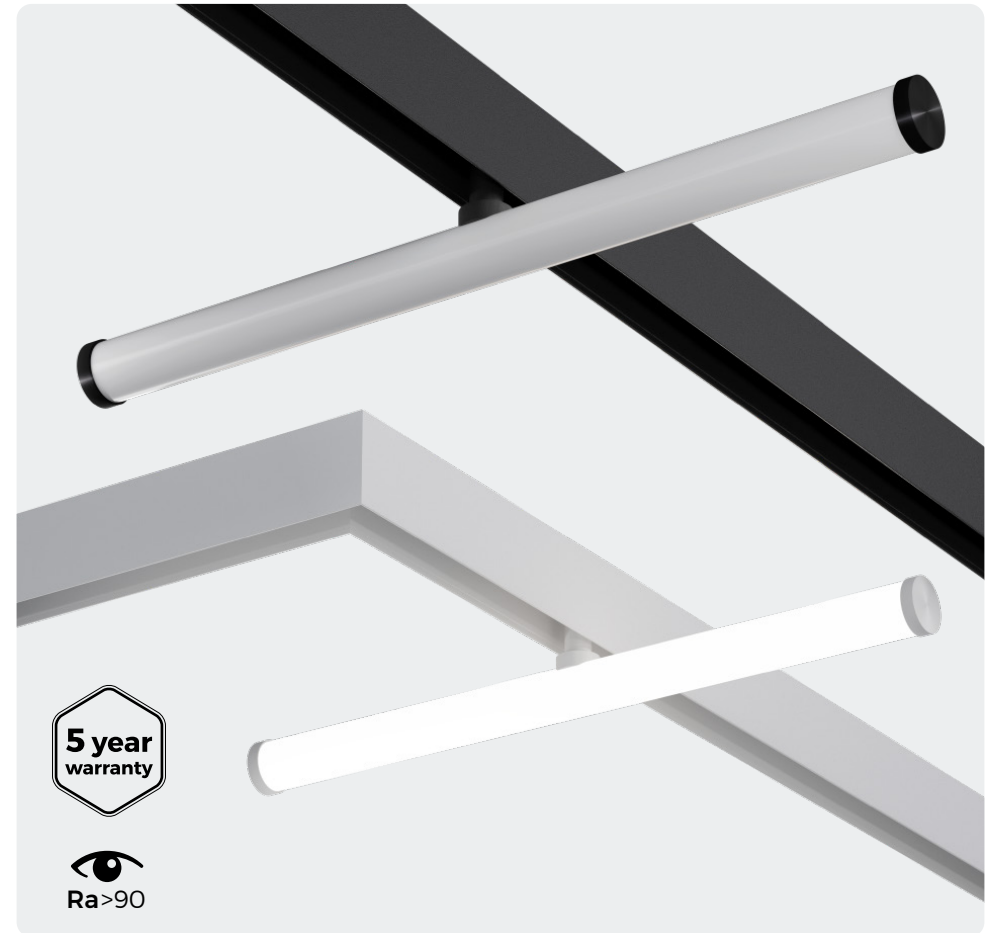


ITEM	COLOUR	POWER	LUMINOUS FLUX	LIGHT COLOUR	BEAM ANGLE	DIMENSIONS	CODE
NEON FLEX S	○	8 W	735 lm	3000 K	360°	22 × 500 mm	WLD+40057
NEON FLEX M	○	16 W	1640 lm	3000 K	360°	22 × 1000 mm	WLD+40058
NEON FLEX L	○	24 W	2540 lm	3000 K	360°	22 × 1500 mm	WLD+40059

Available with: Casambi / Spectrum SMART / Dali / 2 phase



## SYSTEM **SHIFT BEAM**



ITEM	COLOUR	POWER	LUMINOUS FLUX	LIGHT COLOUR	BEAM ANGLE	DIMENSIONS	CODE
BEAM	●	12 W	1400 lm	3000 K	150°	28 × 400 × 75 mm	WLD+40007
BEAM	○	12 W	1400 lm	3000 K	150°	28 × 400 × 75 mm	WLD+40036
SMART BEAM	●	12 W	1200 lm	CCT	150°	28 × 400 × 75 mm	WLD+40007_SMART
SMART BEAM	○	12 W	1200 lm	CCT	150°	28 × 400 × 75 mm	WLD+40036_SMART

Available with: Casambi / Spectrum SMART / Dali / 2 phase

# SYSTEM SHIFT **BASIC**

All elements of the SHIFT and SHIFT BASIC systems work together, have common rails and mounting elements, and can be freely combined. SHIFT BASIC is the basic version without dimming function, with a 2-year warranty.

## SYSTEM SHIFT **BASIC** LINE



size: L



size: S

ITEM	COLOUR	POWER	LUMINOUS FLUX	LIGHT COLOUR	BEAM ANGLE	DIMENSIONS	CODE
BASIC LINE S	●	10 W	1100 lm	3000 K	100°	300 × 23 × 42 mm	WLD+70006WW
BASIC LINE S	●	15 W	1650 lm	3000 K	100°	300 × 23 × 42 mm	WLD+70007WW
BASIC LINE M	●	20 W	2300 lm	3000 K	100°	600 × 23 × 42 mm	WLD+70008WW

## SYSTEM SHIFT **BASIC** GRID



## SYSTEM SHIFT **BASIC** GRID ADJUSTABLE



ITEM	COLOUR	POWER	LUMINOUS FLUX	LIGHT COLOUR	BEAM ANGLE	DIMENSIONS	CODE
BASIC GRID XS	●	6 W	600 lm	3000 K	24°	110 × 23 × 42 mm	WLD+70009WW
BASIC GRID S	●	12 W	1300 lm	3000 K	24°	220 × 23 × 42 mm	WLD+70010WW
BASIC GRID M	●	18 W	2000 lm	3000 K	24°	330 × 23 × 42 mm	WLD+70011WW

ITEM	COLOUR	POWER	LUMINOUS FLUX	LIGHT COLOUR	BEAM ANGLE	DIMENSIONS	CODE
BASIC GRID ADJUSTABLE	●	6 W	600 lm	3000 K	24°	110 × 23 × 110 mm	WLD+70016WW

# SYSTEM SHIFT **BASIC** SPOT / RING

version: RING



size: M



size: L



ITEM	COLOUR	POWER	LUMINOUS FLUX	LIGHT COLOUR	BEAM ANGLE	DIMENSIONS	CODE
BASIC SPOT S RING	●	6 W	600 lm	3000 K	80°	55 × 100 × 160 mm	WLD+70012WW
BASIC SPOT M	●	10 W	1100 lm	3000 K	24°	50 × 110 × 170 mm	WLD+70004WW
BASIC SPOT L	●	20 W	2300 lm	3000 K	24°	55 × 120 × 180 mm	WLD+70003WW

# SYSTEM SHIFT **BASIC** HANGIT / CRISTAL



ITEM	COLOUR	POWER	LUMINOUS FLUX	LIGHT COLOUR	BEAM ANGLE	DIMENSIONS	CODE
BASIC HANGIT	●	10 W	1100 lm	3000 K	80°	ø55 × 95 mm + 1100 mm wire	WLD+70005WW
BASIC HANGIT CRISTAL	●	15 W	1650 lm	3000 K	80°	ø55 × 95 mm + 1100 mm wire	WLD+70015WW

# SYSTEM SHIFT **BASIC** GLOBE RING / PENDANT



ITEM	COLOUR	POWER	LUMINOUS FLUX	LIGHT COLOUR	BEAM ANGLE	DIMENSIONS	CODE
BASIC GLOBE RING	●	10 W	1300 lm	3000 K	60°	ø90 × 150 mm	WLD+70013WW
BASIC GLOBE RING P	●	10 W	1300 lm	3000 K	60°	ø90 × 150 mm + 1100 mm wire	WLD+70014WW

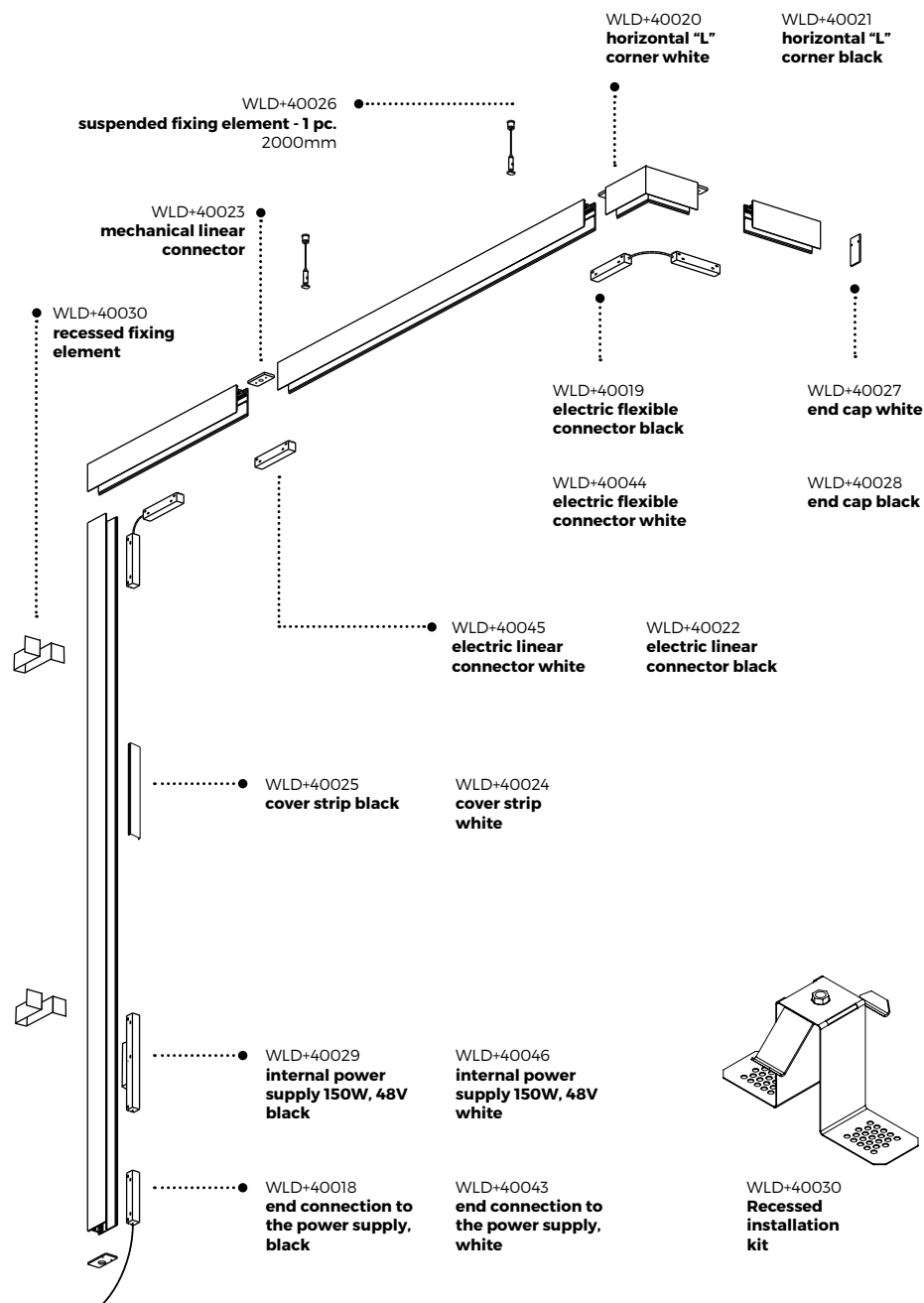
# SYSTEM SHIFT **BASIC** GLOBE / PENDANT



ITEM	COLOUR	POWER	LUMINOUS FLUX	LIGHT COLOUR	BEAM ANGLE	DIMENSIONS	CODE
BASIC GLOBE	●	10 W	1300 lm	3000 K	120°	ø90 × 150 mm	WLD+70001WW
BASIC GLOBE P	●	10 W	1300 lm	3000 K	120°	ø90 × 150 mm + 1100 mm wire	WLD+70002WW



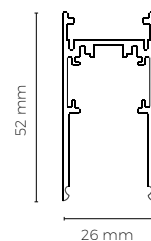
# SYSTEM SHIFT ACCESSORIES



# SYSTEM SHIFT TRACKS

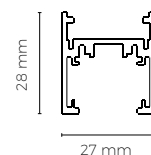


## SHIFT TRACK



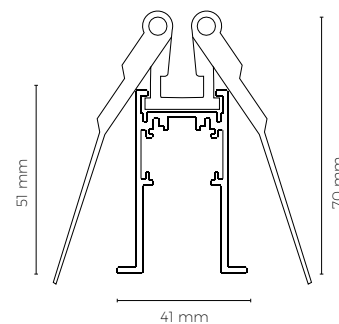
- WLD+40014  
**track white 1000mm**
- WLD+40015  
**track white 2000mm**
- WLD+40047  
**track white 3000mm**
- WLD+40016  
**track black 1000mm**
- WLD+40017  
**track black 2000mm**
- WLD+40048  
**track black 3000mm**

## SHIFT SLIM TRACK



- WLD+40053  
**slim track white 1000mm**
- WLD+40054  
**slim track white 2000mm**
- WLD+40055  
**slim track black 1000mm**
- WLD+40056  
**slim track black 2000mm**

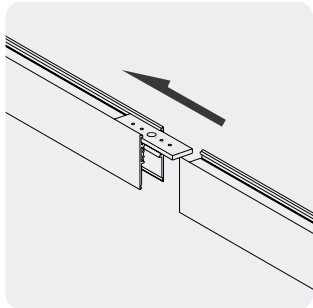
## SHIFT IN TRACK



- WLD+40062  
**IN track black 1000mm**
- WLD+40063  
**IN track black 2000mm**

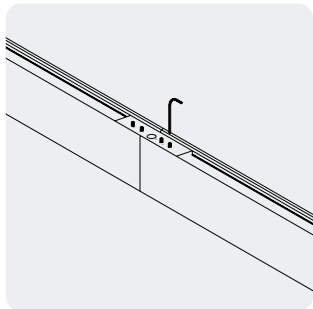
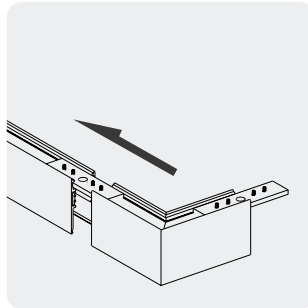
# SYSTEM SHIFT INSTALLATION

STRAIGHT LINE CONNECTION

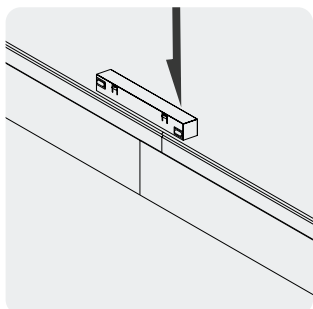
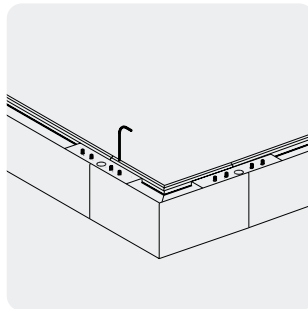


Slide the connecting plate into the cutout

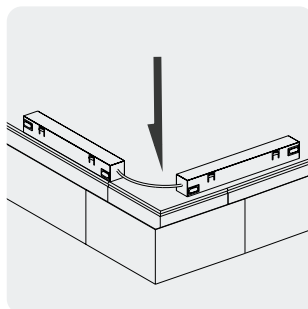
ANGLE CONNECTION



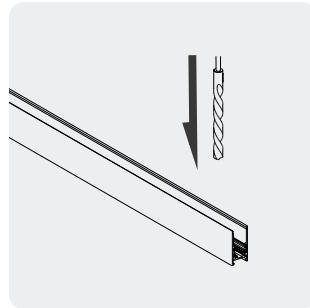
Tighten with screws



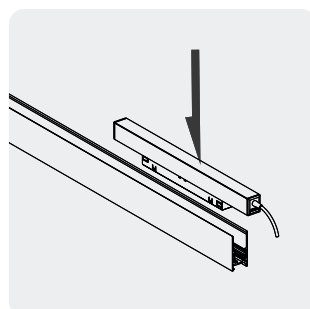
Flip and insert the electric connector



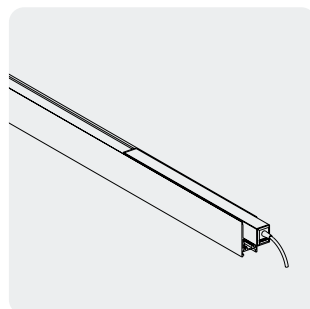
POWER SUPPLY CONNECTION



Drill holes and fasten to the surface



Insert the power supply into the rail

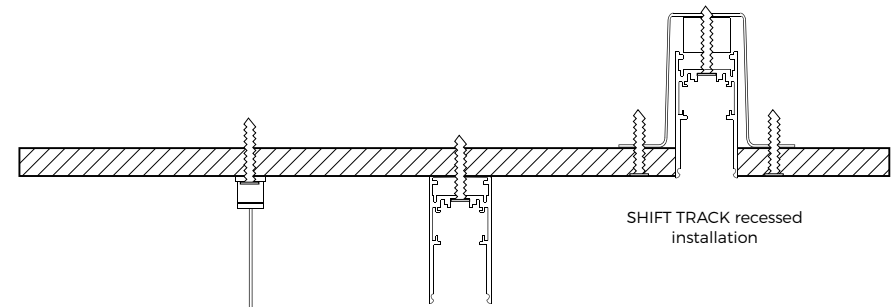


Connect the power

# SYSTEM SHIFT INSTALLATION



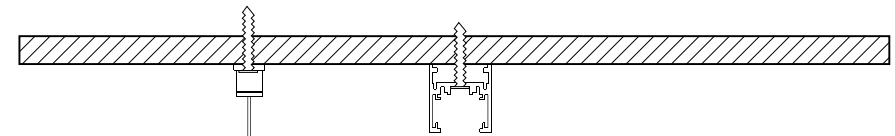
## OPTIONS TO INSTALL THE RAIL



SHIFT TRACK recessed installation

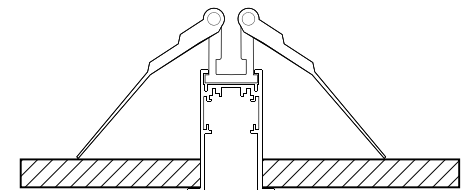
SHIFT TRACK surface installation

SHIFT TRACK pendant installation



SHIFT SLIM TRACK surface installation

SHIFT SLIM TRACK pendant installation



SHIFT IN recessed installation



[www.SpectrumLED.pl/systemshift](http://www.SpectrumLED.pl/systemshift)

**WOJNAROWSCY SP. Z O.O.**  
ul. Gospodarcza 16  
40-432 Katowice  
NIP 9542386911  
REGON 277560336



/spectrumled\_pl



/SpectrumLED